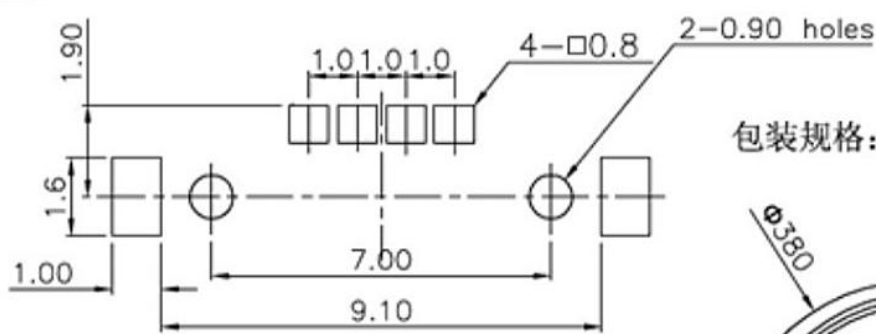
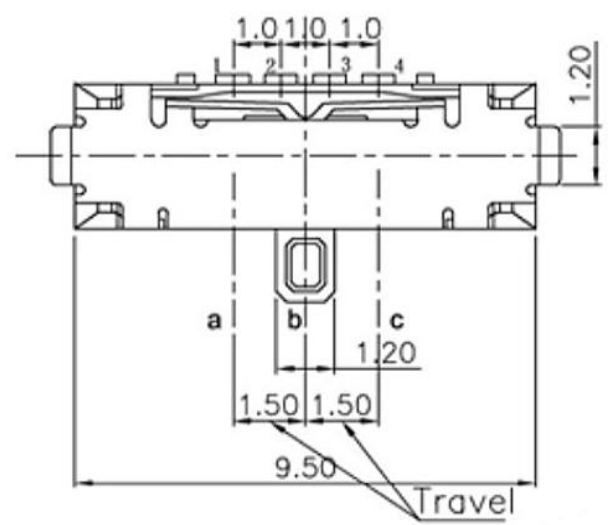
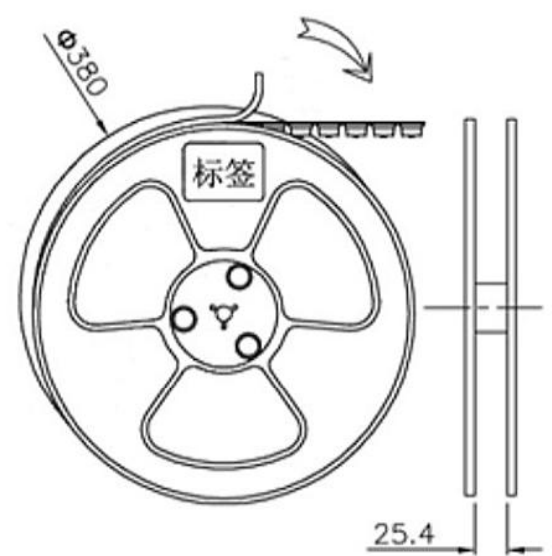


CAD FILE:

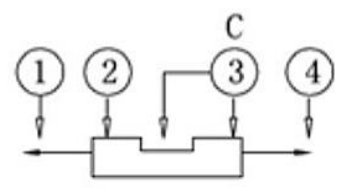
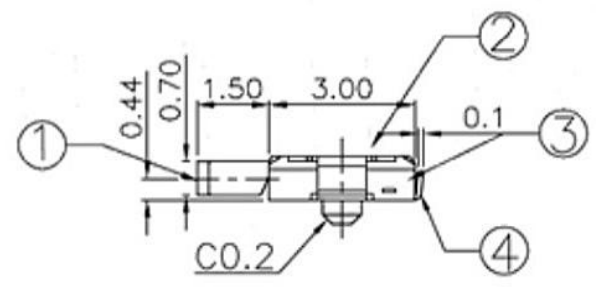


PCB Layout(Pattern side)

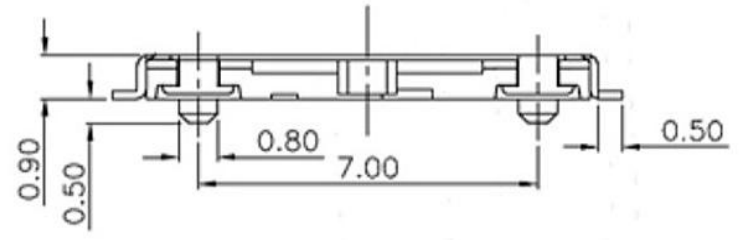
包装规格: 载带包装



数量 (PCS):
1盘: 4000



Circuit Diagram
C: Common Pin



NO.	PARTS	MATERIALS	Q'TY	FINISH	TOLERANCE UNLESS SPECIFIED	ISSUE	DATE	DESCRIPTIONS OF REVISION	APPD.
8									
7	STEEL BALL	STEEL	1	NATURAL					
6	SPRING	STEEL WIRE	1	NATURAL					
5	CONTACT CLIP	PBS STRIP	2	Ag PLATED					
4	TERMINAL	BRASS STRIP	8	Ag PLATED					
3	BASE	PHENOLIC RESIN	1	NATURAL					
2	FRAME	STEEL STRIP	1	Ni PLATED					
1	KNOB	POM	1	BLACK					
					TITLE : SLIDE SWITCH			UNIT : mm	DRWG NO.:
					MODEL:			SCALE: 3:1	DWN.
					DONGGUAN GAODI ELECTRONICS CO., LTD.			2012-10-26	2012-10-26
								CHK'D	2012-10-26
								APPD.	

東莞市高迪電子有限公司
DONGGUAN GAODI ELECTRONICS CO., LTD.